

2 MP Motorized Dome Network Camera

Model No: SIP-CD204S



Key Features

Optics

- Smart IR, up to 30m IR distance
- IR anti-reflection window to increase the infrared transmittance
- Day/night functionality
- Defog- Defog technology, Restoring clear images in hazy and foggy weather

Compression

- H.265+/H.265(HEVC)/H.264+/H.264/MJPEG
- Embedded smart algorithm
- Triple streams
- Customized OSD

Network

- ONVIF Conformance

Structure

- Support PoE power supply
- Wide temperature range: -40°C~60°C
- Vandal-proof IK10-rated Metal Housing
- IP67

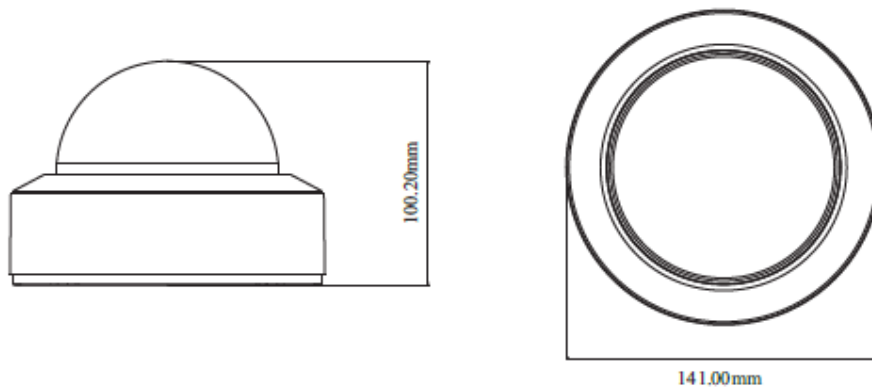
Specifications

Model No	SIP-CD204S	Version : 5.1
Camera		
Image Sensor	½.8" Progressive Scan CMOS	
Min. Illumination	0.0038 lux@F1.4,AGC ON; 0 lux with IR 0.0028 lux@F1.2,AGC ON; 0 lux with IR	
WDR	120dB	
Lens	Motorized 2.8~12mm	
Mount	Φ14	
Focal Control	Autofocus / Manual / One shot	
Drive Type	Auto	
Field of View	Horizontal: 103°~32° ; Vertical: 70.5°~18.3° ; Diagonal:110.6°~36.4°	
Shutter Time	1 / 25 s ~ 1 / 100000 s	
IR Distance	30 M	
Day & night	ICR Filter Auto Switch	
BLC	Supported	
Digital Noise Reduction	55	
Motion Detection	Off / On	
Privacy Masking	Off / On	
Gain Control	AGC, Fixed	
White Balance	Supported	
Video		
Max. Image Resolution	1920X1080	
Frame Rate	25 FPS	
Video Compression	H.265+/H.265(HEVC)/H.264+/H.264/MJPEG	
Video Bit Rate	16Kbps~16Mbps (CBR/VBR Adjustable)	
Image Setting	Brightness/Contrast/Saturation/Sharpness	
Privacy Masking	Up to 8 areas	
OSD	Supported	
Video Analytics	Tampering, Motion Detection, Intrusion Detection	
Video Compression	H.265+/H.265(HEVC)/H.264+/H.264/MJPEG	
Network		
Ethernet	1*RJ45 10M/100M Ethernet Port	
Network Storage	NAS (Support NFS, SMB/CIFS)	
Protocol	IPv4/IPv6, TCP, UDP, RTP, RTSP, RTCP, HTTP, HTTPS, DNS, DDNS, DHCP, FTP, NTP, SMTP, SNMP, UPnP, SIP, PPPoE, VLAN, 802.1x, QoS, IGMP, ICMP, SSL, ARP	
Security	Password protection, IP address filtering, HTTPS (SSL) login authentication, Digest login authentication, User access log, 802.1 x authentications	
Streaming Method	Unicast, Multicast	
Web Viewer		
i. Supported OS	latest Windows / Mac OS	
ii. Supported Browser	Latest version of Microsoft Internet Explorer available with Win 10 or latest win O.S., Firefox, Chrome, Safari	
Audio		
Audio Compression	G.711/AAC	

Audio I/O	1CH audio input; 1CH audio output; Built-in MIC× 1
System	
Alarm I/O	1/1
Storage	Support micro SD/SDHC/SDXC Card Local Storage, up to 128GB
Advanced Function	Privacy Masking, BLC, HLC, 2D DNR, 3D DNR, ROI, Defog, AWB, EIS, IP Address Filtering, AGC, Anti-flicker, Corridor Mode, Deblur
Event Trigger	Motion detection, Network Disconnection, Storage disruption
Event Action	FTP Upload, SMTP Upload, SD Card Record, External Output, SIP Phone, HTTP Notification, etc.
Video Analytics	Motion detection, Network Disconnection, Storage disruption
ONVIF Conformation	Supported
General	
Working Temperature	-40°C~60°C
Working Humidity	0~90%(Non-condensing)
Operating Frequency	50 Hz
Power Supply	PoE (802.3af)/ DC 12V±10%
Power Consumption	8W MAX, 12W MAX (With IR on)
Weather Proof	Up to IP67-rated for Weather-resistant Performance
Housing	Vandal-proof IK10-rated
Weight	0.89 Kg
Dimensions	Φ 141 × 100.2
Accessories	Pole Mount/Wall Mount/Roof Mount, Connectors
Certification	BIS, CE, FCC, RoHS, UL

**Note: The model numbers/Dimensions/Apearances are subject to change due to up gradation/version variations

Dimensions



Lookman Electroplast Industries Ltd,

Old No-9, New No-15, 2nd Street Extn, 3rd Main Road, CIT Nagar, Nandanam, Chennai,
Tamil Nadu - 600035, India Ph : - 044 6622 2222. Fax: - 044 6622 2218.