

## 2MP Network Varifocal IR Bullet Camera

Model No: SIP-EB203S

Ver 3.5



### Key Features

#### Optics

- Day/night functionality
- IR anti-reflection window to increase the infrared transmittance
- 3D DNR (Digital Noise Reduction)
- Smart IR, up to 100 m IR distance

#### Compression

- H.265, H.264, MJPEG
- Triple streams
- 9:16 corridor mode
- Embedded smart algorithm

#### Network

- ONVIF conformance

#### Structure

- Wide temperature range:-30°C to 70°C
- Wide voltage range of  $\pm 25\%$
- IP67

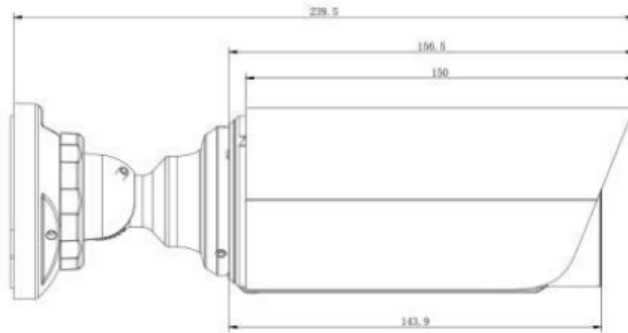
## Specification

Model No	SIP-EB203S	Ver 3.5
<b>Camera</b>		
Sensor	1/ 2.8", megapixel, progressive scan CMOS	
Shutter	Auto/Manual, 1/30s~1/100000 s	
Lens	7-22 mm Motorized varifocal, Remote focus	
Angle of view	H40°~H16°/D46°~D19° /V23°~V9° (7~22mm)	
Min. Illumination	Colour: 0.001 Lux (F1.4 AGC ON) 0 Lux with IR	
Day/Night	IR-cut filter with auto switch (ICR)	
IRIS	Auto-IRIS / P-IRIS	
S/N	>52dB	
IR Range	Up to 100m IR range	
DNR	2D/3D	
Defog	Digital defog	
WDR	120 dB	
<b>Video</b>		
Max. Resolution	1920X1080	
Video Compression	H.265+/H.265(HEVC)/H.264+/H.264/MJPEG	
Frame Rate	Main Stream: 60fps@(1920x1080); Second Stream: D1 (1~25/30 fps); Third Stream: 1080P JPEG (1~25/30 fps)	
9:16 Corridor Mode	Supported	
Image settings	Brightness/Contrast/Saturation/Sharpness	
Intelligent Analytics	Object / People Counting, Missing object detection, Loitering, Face detection, Perimeter intrusion detection, crowd detection, video tampering detection	
General Functions	Watermark, IP Address Filtering, Tampering Alarm, Alarm input, Alarm output, Access Policy, ARP Protection, RTSP Authentication, User Authentication.	
Video Streaming	Triple Streams	
<b>Audio</b>		
Audio Compression	G.711	
Audio I/O	1/1 Audio cable Input: impedance 35 kΩ; amplitude 2 V [p-p], Output: impedance 600 Ω; amplitude 2 V [p-p]	
Two way Audio	Supported	
Alarm I/O	1/1	
<b>Network</b>		
Network	1 RJ45 10M/100M Base-TX Ethernet	
Protocols	IPv4/IPv6, ARP, TCP, UDP, RTP, RTSP, RTCP, HTTP, HTTPS, DNS, DDNS, DHCP, FTP, NTP, SMTP, UPnP, SIP, SNMP, PPPoE, VLAN, 802.1x, QoS, IGMP, ICMP, SSL	
ONVIF	Supported	
<b>Storage</b>		
SD card	Micro SD Upto 256 GB	
Network Storage	ANR	
<b>Interface</b>		

Network	1 RJ45 10M/100M Base-TX Ethernet
<b>General</b>	
Power	12 V DC, or PoE (IEEE802.3 af)
	Power consumption: Max 6.4W
Dimensions (LxWx H)	134mmX126mmX285mm
Weight	1080g
Working Environment	-40°C ~ +60°C, Humidity ≤ 90% RH (non-condensing)
Ingress Protection	IP67
Vandal Resistant	IK10
Sustainability	PVC free
Certifications	CE, FCC, RoHS, UL, BIS

**Note:** The model numbers/Dimensions/Appearance are subject to change due to up gradation /version variations.

## Dimensions



Lookman Electroplast Industries Ltd,

Old No-9, New No-15, 2<sup>nd</sup> Street Extn, 3<sup>rd</sup> Main Road, CIT Nagar, Nandanam,  
Chennai, Tamil Nadu - 600035, India P h : - 044 6622 2222.