

## 5MP 30x IR Network PTZ Dome Camera

Model No: SIP-ESPD507S



### Key Features

- 30X Optical Zoom
- Smart stream
- 120 dB Super WDR
- IR distance up to 200 m IR distance
- 255 preset positions
- H.265 +/H.265(HEVC)/H.264 +/H.264/MJPEG
- Embedded smart algorithm

## Specification

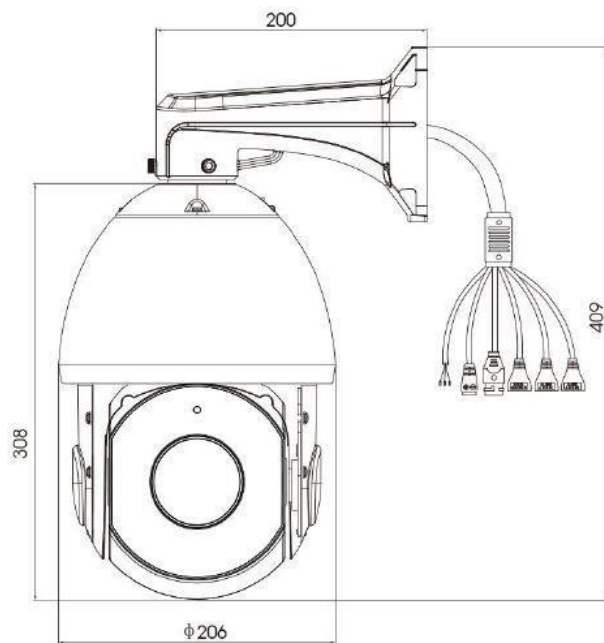
<b>Model No</b>	SIP-ESPD507S	Version 3.5
<b>Camera</b>		
Sensor	1/2.8" Progressive Scan CMOS	
Lens	4.8~144mm @F1.5~F4.0, 30x Optical Zoom	
Focus Control	Auto/Manual	
Pixel	5.0 Megapixel	
Zoom Speed	Approx 4s (Optical Wide-Tele)	
Angle of View (H)	H58°~H3°/H55°~H3°	
Minimum Working Distance	100~1500mm (Wide-Tele)	
Shutter Time	shutter time: 1 s ~1/100000 s	
Auto Gain Control	Supported	
Minimum Illumination	Color: 0.005Lux@F1.2 B/W: 0Lux with IR on	
Day/Night	IR filter auto switch(ICR),Color,Mono	
IR Distance	Up to 200m	
IR Angle	Auto/Manual	
S/N	>52dB	
WDR	Super WDR up to 120dB	
BLC, HLC	Auto	
White Balance	Auto / Manual /ATW/Indoor/Outdoor/Daylight lamp/Sodium lamp	
Digital Zoom	16x	
ROI	Up to 4 areas	
<b>Video</b>		
Max. Resolution	2592x1944	
Video Compression	H.265 +/H.265(HEVC)/H.264 +/H.264/MJPEG	
Video Bit Rate	16Kbps~16Mbps(CBR/VBR Adjustable)	
Streaming	Triple Streaming, Unicast , Multicast	
Image Setting	Brightness/Contrast/Saturation/Sharpness/Image rotation/Snapshot	
Frame Rate	Primary Stream : 30fps@(2592x1944), 60fps@(1920x1080, 1280x960, 1280x720, 704x576) (Optional) Secondary stream : 30fps@(1920x1080,704x576, 640x480, 640x360, 352x288, 320x240, 320x192, 320x176) Tertiary Stream : 30fps@(1920x1080, 1280x720, 704x576, 640x480, 640x360, 320x240, 320x192, 320x176)	
Privacy Masking	Up to 4 area	
<b>Audio</b>		
Audio Compression	G.711/AAC/G.722/G.726	
Two Way Audio	Support	

<b>Storage</b>	
Edge Storage	Support micro SD/SDHC/SDXC Card Local Storage, up to 128G
<b>Network</b>	
Protocols	IPv4/IPv6, TCP/IP, UDP, RTP, RTSP, RTCP, HTTP, HTTPS, DNS, DDNS, DHCP, FTP, NTP, SMTP, SSH,SNMP, UPnP, ARP, PPPoE, VLAN, 802.1x, QoS, IGMP, ICMP, SSL
<b>Pan &amp; Tilt</b>	
Pan Range	360°(endless)
Pan Speed	Pan Manual Speed: 0°~240°/s
	Pan Preset Speed: 300°/s
Tilt Range	0°~90°(Auto Flip)
Tilt Speed	Tilt Manual Speed: 0°~160°/s
	Tilt Preset Speed: 200°/s
Proportional zoom	Support
Number of Preset	256
Patrol	8 Patrols, up to 48 presets each patrol
Pattern	4 Patterns
Power Loss Recovery	Support
PTZ Position Display	ON/OFF
3D positioning	Support
<b>Interface</b>	
Audio I/O	1/1
Alarm I/O	2/2
RS485	Support
Network	1*RJ45 10M/100M Ethernet Port
Advance Function	Auto Tracking, Privacy Masking, BLC, HLC, 2D DNR, 3D DNR, ROI, Defog, AWB, EIS, IP Address Filtering, Anti-flicker, Corridor Mode
Event Trigger	Motion Detection, Network Disconnection, Audio Alarm, etc.
Video Analysis(Optional)	Intrusion Detection, Advanced Motion Detection, Tamper Detection, Line Crossing, Scene change, Directional Motion, Object Counting, Human Detection, People Counting, Object Left, Object Removed
System Compatibility	ONVIF Profile S, G & T
<b>General</b>	
Power	PoE (802.3at) / AC 24V/3A±10%
	Power consumption: 13.5W MAX/ 25W MAX (With IR on)
Dimensions (∅ x H)	∅205mm X 308mm
Weight	4Kg
Surge Protection	6KV

Working Environment	Temperature: -40°C~60°C / Humidity: 0~90%(Non-condensing)
Ingress Protection	IP67
Vandal Resistant	IK 10
Certification	CE, FCC, RoHS, UL,BIS

\*\* Note: The model numbers/Dimensions/Appearance are subject to change due to up gradation /version variations

## Dimension



**LOOKMAN**  
YOUR SECURITY PARTNER

Lookman Electroplast Industries Ltd,

Old No-9, New No-15, 2<sup>nd</sup> Street Extn, 3<sup>rd</sup> Main Road, CIT Nagar, Nandanam,  
Chennai, Tamil Nadu - 600035, India Ph : - 044 6622 2222.