

5MP 30x IR Network PTZ Dome Camera

Model No: SIP-CSPD402



Key Features

- 30X Optical Zoom
- Smart stream
- 120 dB Super WDR
- IR distance up to 200 m IR distance
- 255 preset positions
- H.265 +/H.265(HEVC)/H.264 +/H.264/MJPEG
- Embedded smart algorithm

Specification

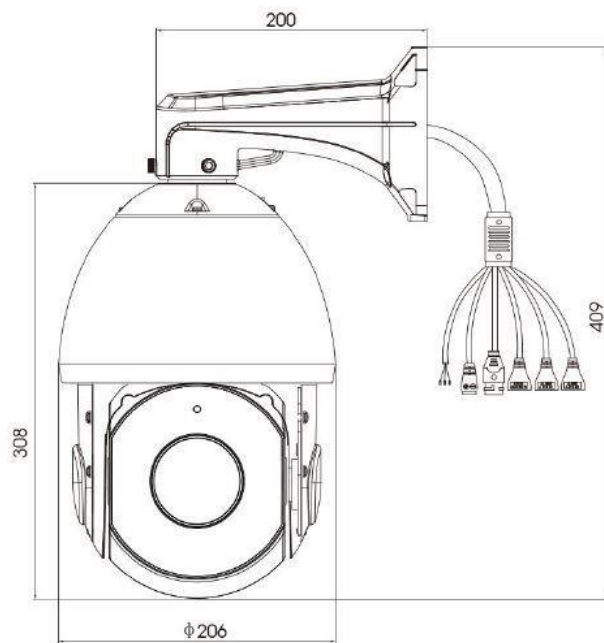
Model No	SIP-CSPD402
Camera	
Sensor	1/3" Progressive Scan CMOS
Lens	4.5~135mm @F1.5~F5.0, 30x Optical Zoom
Focus Control	Auto/Manual
Pixel	5.0 Megapixel
Zoom Speed	Approx 4s (Optical Wide-Tele)
Angle of View (H)	H58°~H3°/H55°~H3°
Minimum Working Distance	100~1500mm (Wide-Tele)
Shutter Time	shutter time: 1 s ~1/100000 s
Auto Gain Control	Supported
Minimum Illumination	Color: 0.005Lux@F1.2 B/W: 0Lux with IR on
Day/Night	IR filter auto switch(ICR),Color, Mono
IR Distance	Up to 200m
IR Angle	Auto/Manual
S/N	>52dB
WDR	Super WDR up to 120dB
BLC, HLC	Auto
White Balance	Auto / Manual /ATW/Indoor/Outdoor/Daylight lamp/Sodium lamp
Digital Zoom	16x
ROI	Up to 4 areas
Video	
Max. Resolution	2592x1944
Video Compression	H.265 +/H.265(HEVC)/H.264 +/H.264/MJPEG
Video Bit Rate	16Kbps~16Mbps(CBR/VBR Adjustable)
Streaming	Triple Streaming, Unicast , Multicast
Image Setting	Brightness/Contrast/Saturation/Sharpness/Image rotation/Snapshot
Frame Rate	Primary Stream : 30fps@(2592x1944), 60fps@(1920x1080, 1280x960, 1280x720, 704x576) (Optional) Secondary stream : 30fps@(1920x1080,704x576, 640x480, 640x360, 352x288, 320x240, 320x192, 320x176) Tertiary Stream : 30fps@(1920x1080, 1280x720, 704x576, 640x480, 640x360, 320x240, 320x192, 320x176)
Privacy Masking	Up to 4 area
Audio	
Audio Compression	G.711/AAC/G.722/G.726
Two Way Audio	Support

Storage	
Edge Storage	Support micro SD/SDHC/SDXC Card Local Storage, up to 128G
Network	
Protocols	IPv4/IPv6, TCP/IP, UDP, RTP, RTSP, RTCP, HTTP, HTTPS, DNS, DDNS, DHCP, FTP, NTP, SMTP, SSH,SNMP, UPnP, ARP, PPPoE, VLAN, 802.1x, QoS, IGMP, ICMP, SSL
Pan & Tilt	
Pan Range	360°(endless)
Pan Speed	Pan Manual Speed: 0°~240°/s
	Pan Preset Speed: 300°/s
Tilt Range	0°~90°(Auto Flip)
Tilt Speed	Tilt Manual Speed: 0°~160°/s
	Tilt Preset Speed: 200°/s
Proportional zoom	Support
Number of Preset	256
Patrol	8 Patrols, up to 48 presets each patrol
Pattern	4 Patterns
Power Loss Recovery	Support
PTZ Position Display	ON/OFF
3D positioning	Support
Interface	
Audio I/O	1/1
Alarm I/O	2/2
RS485	Support
Network	1*RJ45 10M/100M Ethernet Port
Advance Function	Auto Tracking, Privacy Masking, BLC, HLC, 2D DNR, 3D DNR, ROI, Defog, AWB, EIS, IP Address Filtering, Anti-flicker, Corridor Mode
Event Trigger	Motion Detection, Network Disconnection, Audio Alarm, etc.
Video Analysis(Optional)	Intrusion Detection, Advanced Motion Detection, Tamper Detection, Line Crossing, Scene change, Directional Motion, Object Counting, Human Detection, People Counting, Object Left, Object Removed
System Compatibility	ONVIF Profile S, G & T
General	
Power	PoE (802.3at) / AC 24V/3A±10%
	Power consumption: 13.5W MAX/ 25W MAX (With IR on)
Dimensions (∅ x H)	∅205mm X 308mm
Weight	4Kg
Surge Protection	6KV

Working Environment	Temperature: -40°C~60°C / Humidity: 0~90%(Non-condensing)
Ingress Protection	IP67
Vandal Resistant	IK 10
Certification	CE, FCC, RoHS, UL,BIS

** Note: The model numbers/Dimensions/Appearance are subject to change due to up gradation /version variations

Dimension



LOOKMAN
YOUR SECURITY PARTNER

Lookman Electroplast Industries Ltd,

Old No-9, New No-15, 2nd Street Extn, 3rd Main Road, CIT Nagar, Nandanam,
Chennai, Tamil Nadu - 600035, India Ph : - 044 6622 2222.