

2.0MP Starlight Network Fixed Mini IR Bullet Camera

Model No: SIP-CB201S



Key Features

- 2.0 Megapixel 1/2.8" Progressive Scan CMOS Sensor
- High definition and smooth picture, 1080p@30fps
- H.265 video codec, saves up to 50% bandwidth and storage
- Ultra low illumination, 0.002lux with color picture
- 120dB Ultra WDR
- 3D noise reduction / HLC
- Motion detection / Tampering / Guard line / Enter guard area / Exit guard area
- Integrated High Efficiency IR
- Industrial IR LED with long operational lifespan
- 40m IR distance
- Smart IR function
- Supports 90°, 180°, 270° image rotation
- Micro SD card slot, supports Automatic Network Replenishment (ANR)
- Anti-fog glass
- -40°C ~ 70°C operation temperature
- PoE
- IP67,IK10

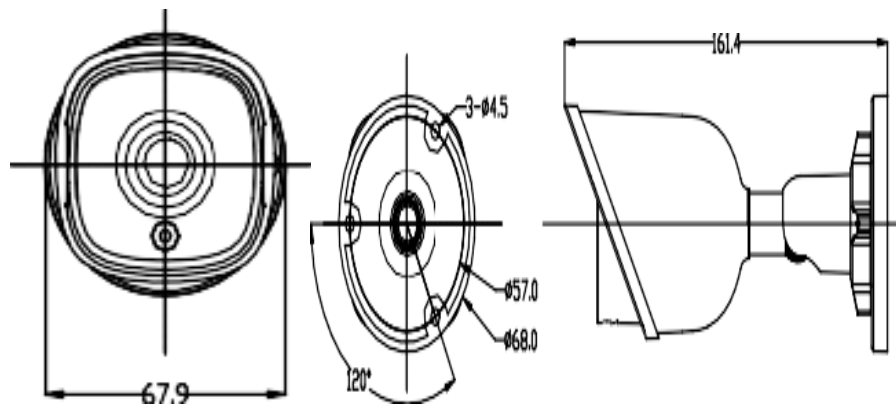
Specifications

| | |
|-------------------------|---|
| Model No | SIP-CB201S |
| Camera | |
| Image Sensor | 1/2.8" progressive scan CMOS |
| Pixels | 2.0 Megapixel |
| Min. Illumination | Color: 0.002lux @ (F2.0, AGC ON) |
| | B/W: 0.0002lux @ (F2.0, AGC ON); 0lux with IR |
| Shutter Speed | 1 ~ 1/30,000s |
| Day / Night | Auto (ICR) / Color / B/W |
| Wide Dynamic Range | >=120db |
| S/N Ratio | >50dB |
| White Balance | Auto / Manual |
| Gain Control | Auto / Manual |
| Backlight Compensation | Off / WDR / BLC / HLC |
| Image Setting | Color, brightness, sharpness, contrast, white balance, exposure control, Gain Control, Electronic Image Stabilization |
| Lens | |
| Mount Type | M12 |
| Focal Length | 3.6mm /6mm Fixed Lens |
| Angle of View | 78.6°(3.6mm) /53.2°(6mm) |
| Infrared | |
| IR Distance | 40m |
| IR Intensity | Smart IR |
| Video | |
| Compression | H.265 / H.264 / MJPEG |
| Image Resolution | Main stream: 1080p |
| | Secondary stream: D1 |
| Frame Rate | Main stream: 1080p@30fps |
| | Secondary stream: D1@30fps |
| Bitrate | 64kbps ~ 8Mbps |
| Bitrate Control | VBR / CBR |
| Dual-stream | Supported |
| Caption | Date and time / Alarm / Customized |
| Privacy Masking | Up to 4 zones |
| Motion Detection | Up to 4 zones |
| ROI | Supported |
| Digital Noise Reduction | 3D noise reduction |
| Digital Defog | Supported |
| Image Flip | Flip / Mirror / Rotation at 90°, 180°, 270° |
| Network | |

| | |
|---------------------------------------|--|
| Network Protocols | TCP/IP, UDP, HTTP, DHCP, DNS/DDNS, RTP/RTCP,SNMP,NTP, RTSP, PPPoE, FTP, VSIP, UPnP, 802.1x, NAT, QoS, SMTP, IPv4, IPv6 |
| User Interface | IE, Firefox, Chrome |
| Max. User Access | Max. 10 Users (includes 2 internal) |
| Compatibility | ONVIF Profile S, G, Q & T |
| Automatic Network Replenishment (ANR) | Supported |
| Alarm | |
| Alarm Triggers | Network disconnect / Disk full / Disk error |
| Intelligent | Motion detection / Tampering / Guard line / Enter guard area / Exit guard area |
| Alarm Events | Alarm report / Recording / Text overlay / Snapshot / Email notice |
| Interfaces | |
| Ethernet | 10/100M, RJ45 interface |
| Memory Slot | Micro SD card slot, supports up to 128GB |
| Environmental | |
| Operating Temperature | -40°C ~ 70°C / -40°F ~ 158°F |
| Operating Humidity | 10% ~ 95% |
| Protection Level | IP67,IK10 |
| Electrical | |
| Power | 12V DC ± 10% / PoE (IEEE802.3af) |
| Power Consumption | Max. 7W |
| General | |
| Weight | 0.6 kg / 1.32lb (Gross Weight) |
| Dimensions | 161.5 x 62 x 57mm / 6.36" x 2.44" x 2.24" |
| Mounting Bracket | Bracket included |
| Certification | CE, FCC, RoHS, UL, BIS |

**Note: The model numbers are subject to change due to up gradation /version variations.

Dimensions



Lookman Electroplast Industries Ltd,

Old No-9, New No-15, 2nd Street Extn, 3rd. Main Road, CIT Nagar, Nandanam,
Chennai, Tamil Nadu -600035, India Ph : - 044 6622 2222.