

## 2MP Varifocal Lens Dome - Optical WDR

Model NO - SIP-20EH537W-D3



### Key Features

#### Optics

- Day/night functionality
- Smart IR, up to 30m(98ft)IR distance
- Lowlight surveillance
- 2D/3D DNR(Digital Noise Reduction)
- 120db Optical WDR
- Built-in motorized lens for remote zoom **Compression**
- Ultra H.265, H.264,MJPEG
- Embedded smart algorithm
- Triple streams
- ROI (Region of Interest)
- 9:16 corridor mode **Network**
- ONVIF conformance with Profile S **Structure**
- Support PoE power supply
- Built-in PoE splitter that outputs DC12V
- Wide temperature range:-40° C to 60° C(-40° F to 140° F)
- Wide voltage range of ±25%
- IK10 vandal resistant
- IP67

## Specifications

Model No	SIP-20EH537W-D3S
<b>Camera</b>	
Sensor	1/2.8", 2 megapixel, progressive scan CMOS
Shutter	Auto/Manual, 1/6~1/100000 s
Lens	2.7~13.5 mm, AF automatic focusing and motorized zoom lens
Angle of View (H)	121.36°~33.5°
Angle of View (V)	60.2°~13.2°
Angle of View (O)	157.8°~41.2°
Zoom/Focus	Motor drive
Min. Illumination	Colour: 0.0005 Lux (F1.2, AGC ON) 0 Lux with IR
Day/Night	IR-cut filter with auto switch (ICR)
IR Range	Up to 30m (98 ft) IR range
S/N	>52dB
WDR	Optical WDR (up to 120dB)
White Balance	Supported
Exposure Control	Supported
HLC , BLC & AGC	Supported
<b>Video</b>	
Max. Resolution	1920 × 1080
Video Compression	Ultra H.265,H.264,MJPEG
H.264 code profile	Baseline profile, Main Profile, High Profile
Frame Rate	Main Stream: 2MP (1920×1080):Max.30fps; Sub Stream:2MP (1920×1080): Max. 30 fps; Third Stream:D1 (720×576): Max. 30 fps
9:16 Corridor Mode	Supported
ROI	Supported
OSD	Up to 8 OSDs
Privacy Mask	Up to 8 areas
Motion Detection	Up to 4 areas
<b>Audio</b>	
Audio Compression	G.711
Two-way audio	Supported
Suppression	Supported

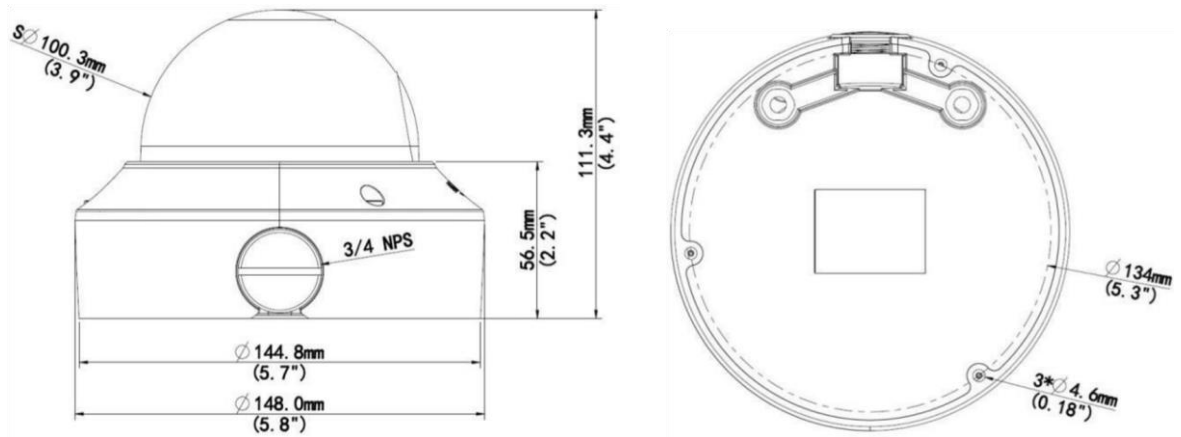
<b>Storage</b>	
Edge Storage	Micro SD, up to 128 GB
Network Storage	ANR
<b>Network</b>	
Protocols	IPv4, Ipv6, IGMP, ICMP, ARP, TCP, UDP, DHCP, PPPoE, RTP, RTSP, RTCP, DNS, DDNS, NTP, FTP, UPnP, HTTP, HTTPS, SMTP, SNMP, SIP, 802.1x

Compatible Integration	ONVIF(Profile S & G), API
<b>Smart Functions</b>	
Behavior Detection	Intrusion, crossing line, motion detection, Camera tampering
Intrusion	Enter and loiter in a pre-defined virtual region
Cross line	Cross a pre-defined virtual line
Motion Detection	Moving within a pre-defined virtual region
Recognition	Face detection, Audio detection
Intelligent Identification	Defocus, Scene Change, Object Left, Object Moving
Statistical Analysis	People counting
General Function	Watermark, IP Address Filtering, Tampering Alarm, Alarm input, Alarm output, Access Policy, ARP Protection, RTSP Authentication, User Authentication
<b>Interface</b>	
Audio I/O	Audio cable
	Input: impedance 35 k $\Omega$ ; amplitude 2 V [p-p]
	Output: impedance 600 $\Omega$ ; amplitude 2 V [p-p]
Alarm I/O	1/ 1
Network	1 RJ45 10M/100M Base-TX Ethernet
Video Output	1 BNC, impedance 75 $\Omega$ ; amplitude 1 V [p-p]
<b>General</b>	
Power	DC12V $\pm$ 25%, PoE (IEEE802.3 af)
	Power consumption: Max. 8.7 W
Dimensions ( $\phi$ x H)	$\phi$ 148 x 111.3 mm ( $\phi$ 5.8" x 4.4")
Weight	0.92 kg (2.0 lb)
Working Environment	-40°C ~ +60°C (-40°F ~ 140°F), Humidity $\leq$ 90% RH(non- condensing)
Vandal Resistant	IK10

Ingress Protection	IP67
Certification	CE, FCC, UL, ROHS

\*\*Note: The model numbers are subject to change due to up gradation /version variations.

## Dimensions



**Lookman Electroplast Industries Ltd,**

Old No-9, New No-15, 2<sup>nd</sup> Street Extn, 3<sup>rd</sup> Main Road, CIT Nagar, Nandanam,  
Chennai, Tamil Nadu -600035, India Ph: - 044 6622 2222,